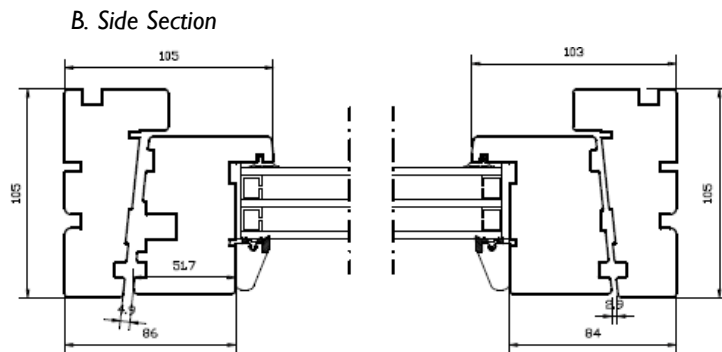
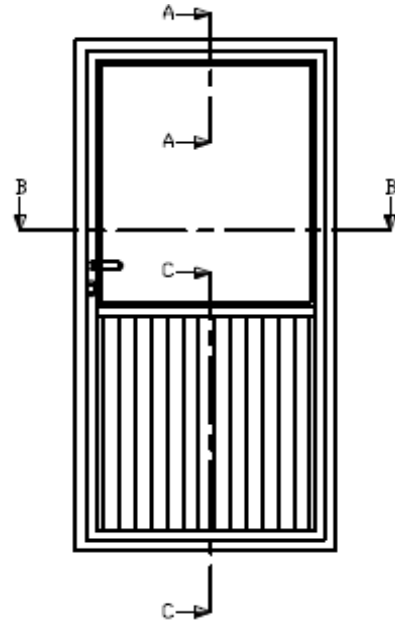


*Outward Opening Balcony Door:  
Panel & Height Options  
Low Level Threshold Option*



*Drawings representative of standard products. For general illustration purposes only. Variations may occur depending on exact specifications.*

### High Performance Timber Windows and Doors

- Uncompromising product quality
- Built to your specification
- Energy efficient to Passive House standard
- U-values as low as 0.7 W/m<sup>2</sup>K
- Up to 30 Year Product Warranty
- Premium sustainable timber
- Pressure treated & laminated for durability
- Finger-jointed for added strength
- Delivery in 4 to 6 weeks
- Professional installation service available

Need a quote? Contact us today or visit our website.