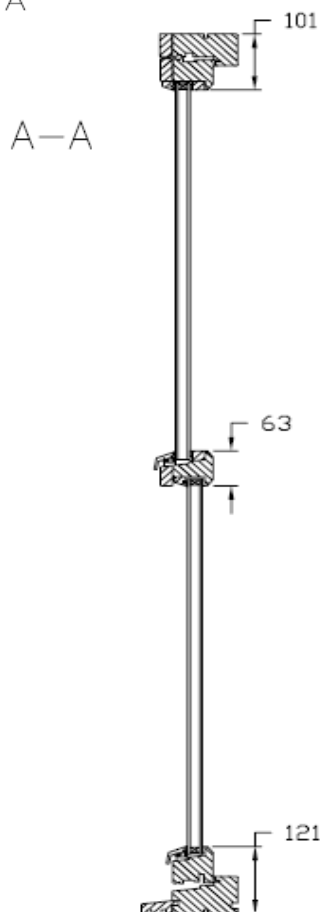
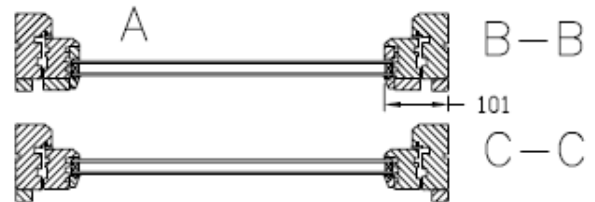
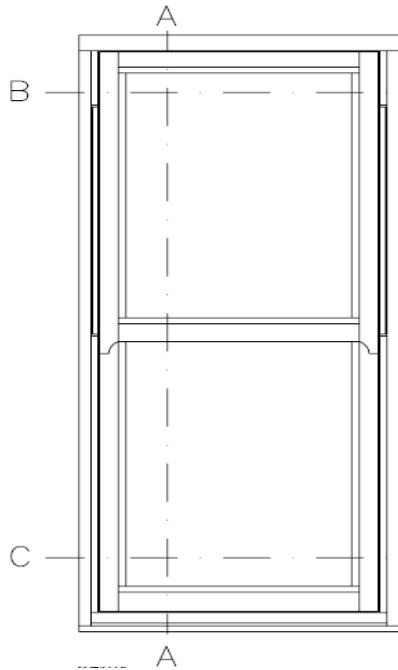


SASH & CASE LOOK-A-LIKE

Timber Double Glazed Window



Broxwood High Performance Timber Windows and Doors

- Uncompromising product quality
- Built to your specification
- Energy efficient to Passive House standard
- U-values as low as 0.7 W/m²K
- Up to 30 Year Product Warranty
- Premium, sustainable timber
- Pressure treated & laminated for durability
- Finger-jointed for added strength
- Delivery in 6 to 8 weeks
- Professional installation service available

For a quote call us or visit the website:

01738 444456
www.broxwood.com

