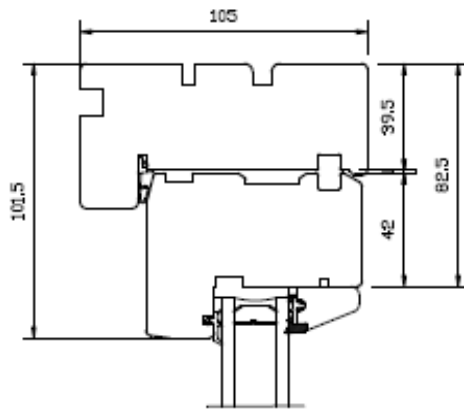
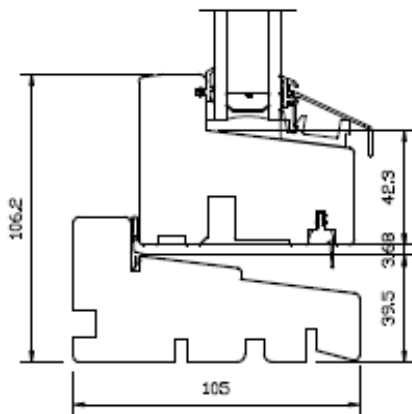
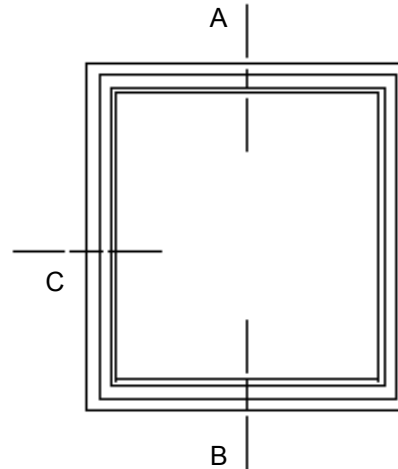


# TOP SWING FULLY REVERSIBLE WINDOW

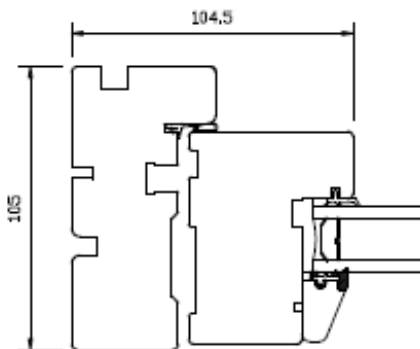
*Timber Double Glazed*



A. Head Section



B. Sill Section



C. Side Section

## Broxwood High Performance Timber Windows and Doors

- Uncompromising product quality
- Built to your specification
- Energy efficient to Passive House standard
- U-values as low as 0.7 W/m<sup>2</sup>K
- Up to 30 Year Product Warranty
- Premium, sustainable timber
- Pressure treated & laminated for durability
- Finger-jointed for added strength
- Alu-clad option
- Delivery in 4 to 6 weeks
- Professional installation service available

For a quote call us or visit the website:

**01738 444456**  
**[www.broxwood.com](http://www.broxwood.com)**

